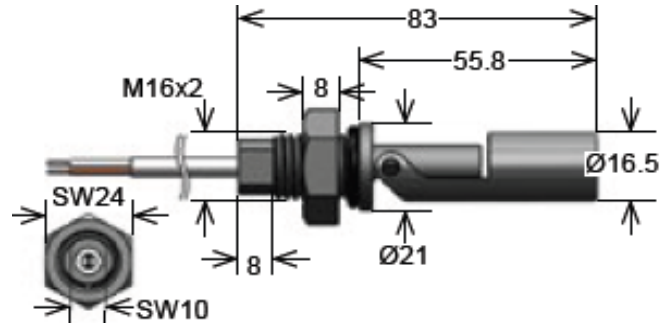
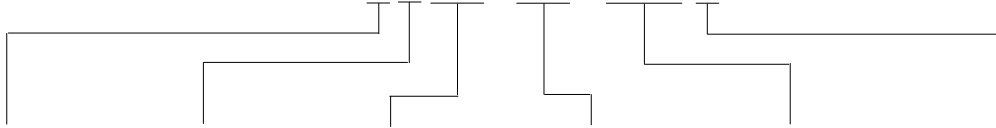


# LS03 Series Level Sensors



- Features: Single Level Horizontal Mount, High Power Switch Option, Other Cables & Connectors
- Applications: Level Control, Detection and Monitoring
- Markets: Automotive, Appliance, HVAC/R, Test & Measurement

Part-Description: **LS-03 0X00-XX-000X**



Contact QTY	Contact Form	Switch Model	Material	Cable Length (mm)	Cable Termination
01	A (SPST-NO) B (SPST-NC)	66, 85	PA, PP	500	W = Stripped and Tinned

Customer Options	Switch Model		Unit
	66	85	
<b>Contact Data</b>			
<b>Rated Power (max.)</b> <small>Any DC combination of V&amp;A not to exceed their individual max.'s</small>	10	100	W
<b>Switching Voltage (max.)</b> <small>DC or peak AC</small>	200	400	V
<b>Switching Current (max.)</b> <small>DC or peak AC</small>	0.5	1.0	A
<b>Carry Current (max.)</b> <small>DC or peak AC</small>	1.25	2.5	A
<b>Contact Resistance (max.)</b> <small>@ 0.5V &amp; 10mA</small>	150	150	mOhm

Glossary Contact Form		
<b>Form A</b>	NO = Normally Open Contacts SPST = Single Pole Single Throw	
<b>Form B</b>	NC = Normally Closed Contacts SPST = Single Pole Single Throw	
<b>Form C</b>	Changeover SPDT = Single Pole Double Throw	

Glossary Material	
<b>PP: Polypropylene</b>	For water applications and dilute acids
<b>PA: Polyamide</b>	For oil
<b>NBR: Nitrile Butadiene Rubber</b>	For oil, gasoline & in high temperatures
<b>SS: Stainless Steel</b>	For high temp. (< 160° C)

General Sensor Data		
<b>Materials</b>		
Stem, Nut	PA	PP
Float	PA	PP
Seal	Nitrile Rubber	Nitrile Rubber
Cable spec	<b>Low voltage</b> (Switch Model 66)	<b>High voltage</b> (Switch Model 66)
Cross Section (mm <sup>2</sup> )	0.14	0.25
Cable material	PVC	
Packing	Bulk	

Environmental Data		Unit
<b>Shock Resistance (max.)</b> 1/2 sine wave duration 11ms	50	G
<b>Vibration Resistance (max.)</b>	20	G
<b>Operating Temperature</b> Cable not moved	-20 to 80	°C
<b>Operating Temperature</b> Cable moved	-5 to 80	°C
<b>Storage Temperature</b>	-30 to 70	°C

Handling & Assembly Instructions	
<b>Standard</b>	<b>GZ-Type</b>
<ul style="list-style-type: none"> <li>➤ Mounting from inside, thread M16 x 2.0</li> <li>➤ Insertion hole: Ø 16.5mm</li> <li>➤ Sealing from inside, with O-ring</li> </ul>	<ul style="list-style-type: none"> <li>➤ Mounting from outside, tapered thread ½" (no sealing necessary)</li> <li>➤ Insertion hole: 1/2" thread</li> </ul>
<b>DK-Type</b>	<b>DL-Type</b>
<ul style="list-style-type: none"> <li>➤ Mounting from outside, thread M16 x 2.0</li> <li>➤ Insertion hole: Ø 22mm</li> <li>➤ 5mm narrow sealing, suitable for high filling Pressure</li> <li>➤ Wall thickness min. 4mm</li> </ul>	<ul style="list-style-type: none"> <li>➤ Mounting from outside, thread M16 x 2.0</li> <li>➤ Insertion hole: Ø 22–24 mm</li> <li>➤ 12mm wide sealing, suitable for low filling Pressure</li> <li>➤ Wall thickness max. 5mm</li> </ul>

