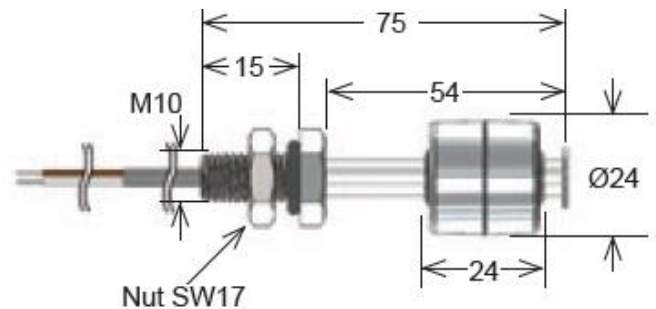


# LS02-S Series Level Sensors



- Features: IP68-only up to Screw in Thread, Up to 120°C, High Power Switch Option, Cables & Connectors
- Applications: Level Control, Detection and Monitoring
- Markets: Automotive, Appliance, HVAC/R, Test & Measurement

Part-Description: **LS-02 0X00-X-000X**

Contact QTY	Contact Form	Switch Model	Material	Cable Length (mm)	Cable Termination
01	A (SPST-NO) B (SPST-NC)	66, 85	Stainless Steel	500, 1,000, 5,000	W = Stripped and Tinned

Customer Options	Switch Model		Unit
	66	85	
<b>Contact Data</b>			
<b>Rated Power (max.)</b> Any DC combination of V&A not to exceed their individual max.'s	10	100	W
<b>Switching Voltage (max.)</b> DC or peak AC	200	400	V
<b>Switching Current (max.)</b> DC or peak AC	0.5	1.0	A
<b>Carry Current (max.)</b> DC or peak AC	1.25	2.5	A
<b>Contact Resistance (max.)</b> @ 0.5V & 10mA	150	150	mOhm

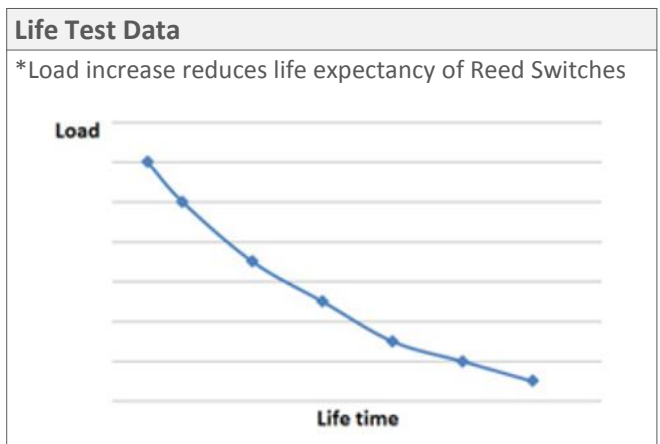
Glossary Contact Form		
<b>Form A</b>	NO = Normally Open Contacts SPST = Single Pole Single Throw	
<b>Form B</b>	NC = Normally Closed Contacts SPST = Single Pole Single Throw	
<b>Form C</b>	Changeover SPDT = Single Pole Double Throw	

Glossary Material	
<b>PP: Polypropylene</b>	For water applications and dilute acids
<b>PA: Polyamide</b>	For oil
<b>NBR: Nitrile Butadiene Rubber</b>	For oil, gasoline & in high temperatures
<b>SS: Stainless Steel</b>	For high temp. (< 160° C)

General Sensor Data		
Materials		
Stem, nut	Stainless Steel	
Float	Stainless Steel	
Seal	Nitrile Rubber	
Cable spec	Low voltage (Switch Model 66)	High voltage (Switch Model 85)
Cross Section (mm <sup>2</sup> )	0,14	0,25
Cable material	PVC	
Packing	Bulk	



Environmental Data		Unit
Shock Resistance (max.) 1/2 sine wave duration 11ms	50	g
Vibration Resistance (max.)	20	g
Operating Temperature Cable not moved	-40 to 160	°C
Operating Temperature Cable moved	-40 to 120	°C
Storage Temperature	-20 to 100	°C



Handling & Assembly Instructions
<ul style="list-style-type: none"> <li>➤ Max torque of screw is 1Nm</li> <li>➤ Cable bending-radius is diameter x 15</li> <li>➤ Min. bending distance to housing is 5mm</li> <li>➤ Drag mark out of the mounting area forbidden</li> <li>➤ Decrease switching distance by mounting on iron</li> <li>➤ Series resistor recommended for &gt; 5m cable length</li> </ul>

