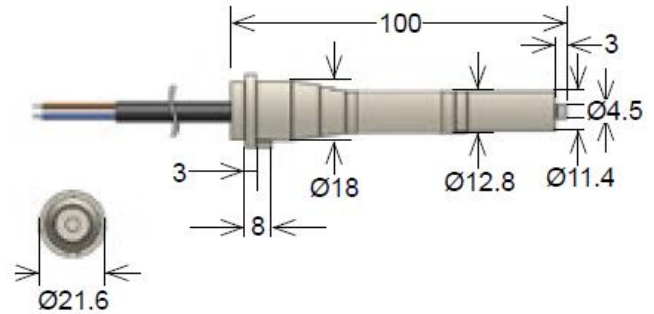


# MK08 Series Reed Sensors



- Features: Ex-approved Reed Sensor, Choice of Cable Termination & Lengths available
- Applications: Petrochemical and Mining Industry, Filling stations, Hazardous Areas & Others
- Markets: Industrial, Security & Others

Part Description: **MK 08-0X00-000X**

Contact QTY	Contact Form	Switch Model	Cable Length (mm)	Termination
1	A, B	66, 85	100, 200, 300, 500, 1,000, 1,500	w

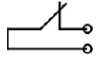
Customer Options	Switch Model		Unit
	66	85	
<b>Contact Data</b>			
<b>Rated Power (max.)</b> Any DC combination of V&A not to exceed their individual max.'s	10	100	W
<b>Switching Voltage (max.)</b> DC or peak AC	200	1000	V
<b>Switching Current (max.)</b> DC or peak AC	0.5	0.5	A
<b>Carry Current (max.)</b> DC or peak AC	1.0	1	A
<b>Contact Resistance (max.)</b> @ 0.5V & 50mA	150	200	mOhm
<b>Breakdown Voltage (min.)</b> According to EN60255-5	0.25	1	kVDC
<b>Operating Time (max.)</b> Incl. Bounce; Measured with w/ Nominal Voltage	0.7	0.5	ms
<b>Release Time (max.)</b> Measured with no Coil Excitation	0.05	0.1	ms
<b>Insulation Resistance (typ.)</b> Rh<45%, 100V Test Voltage	10 <sup>10</sup>	10 <sup>10</sup>	GOhm
<b>Capacitance (typ.)</b> @ 10kHz across open Switch	0.3	0.4	pF

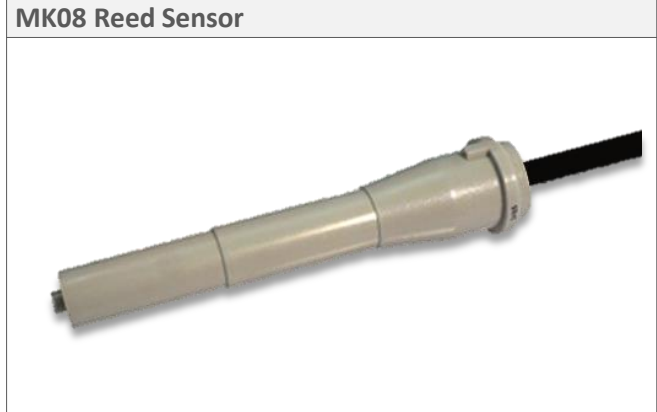
Series Datasheet – MK08 Reed Sensors

www.andiantech.com

Housing and Cable Specifications	
Housing Material	Polycarbonat
Case Color	various
Sealing Compound	Polyurethan/Silicon
Cable Typ	Round Cable
Cable Material	Oil resistant cable H05RN-F
Cross Section (mm <sup>2</sup> )	2 x 0.75

Environmental Data		Unit
Shock Resistance (max.) 1/2 sine wave duration 11ms	30	g
Vibration Resistance (max.)	20	g
Operating Temperature Cable not moved	-40 to 60	°C
Operating Temperature Cable moved	-05 to 60	°C
Storage Temperature	-40 to 60	°C

Glossary Contact Form		
Form A	NO = Normally Open Contacts SPST = Single Pole Single Throw	
Form B	NC = Normally Closed Contacts SPST = Single Pole Single Throw	
Form C	Changeover SPDT = Single Pole Double Throw	



- Handing & Assembly Instructions**
- Cable min. bending-radius is diameter x 15
  - Min. bending distance to housing is 5mm
  - Decrease switching distance by mounting on iron
  - Do not use magnetically inductive screws
  - Series resistor recommended for > 5m cable length

